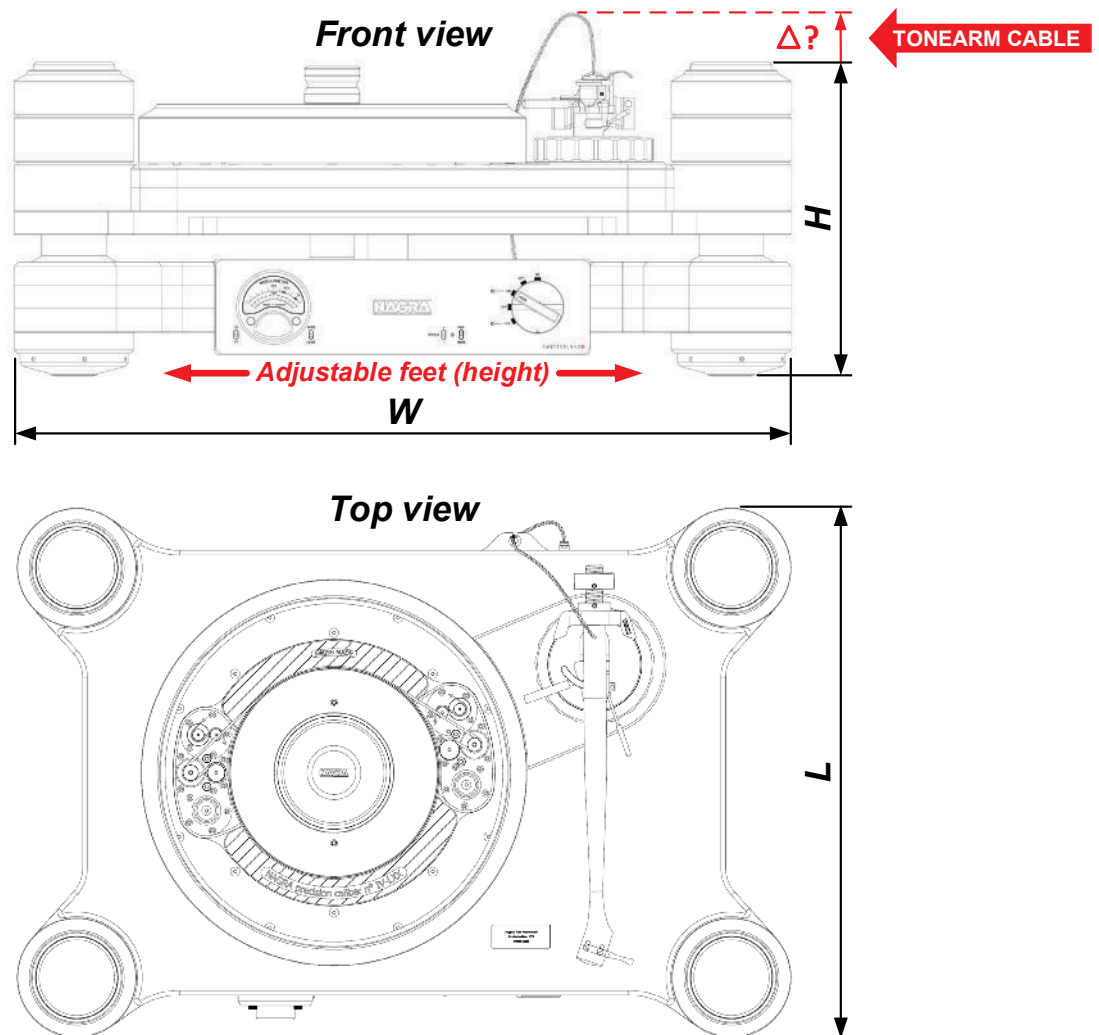


Nagra TURNTABLE Mechanical dimensions

ANNIVERSARY TURNTABLE



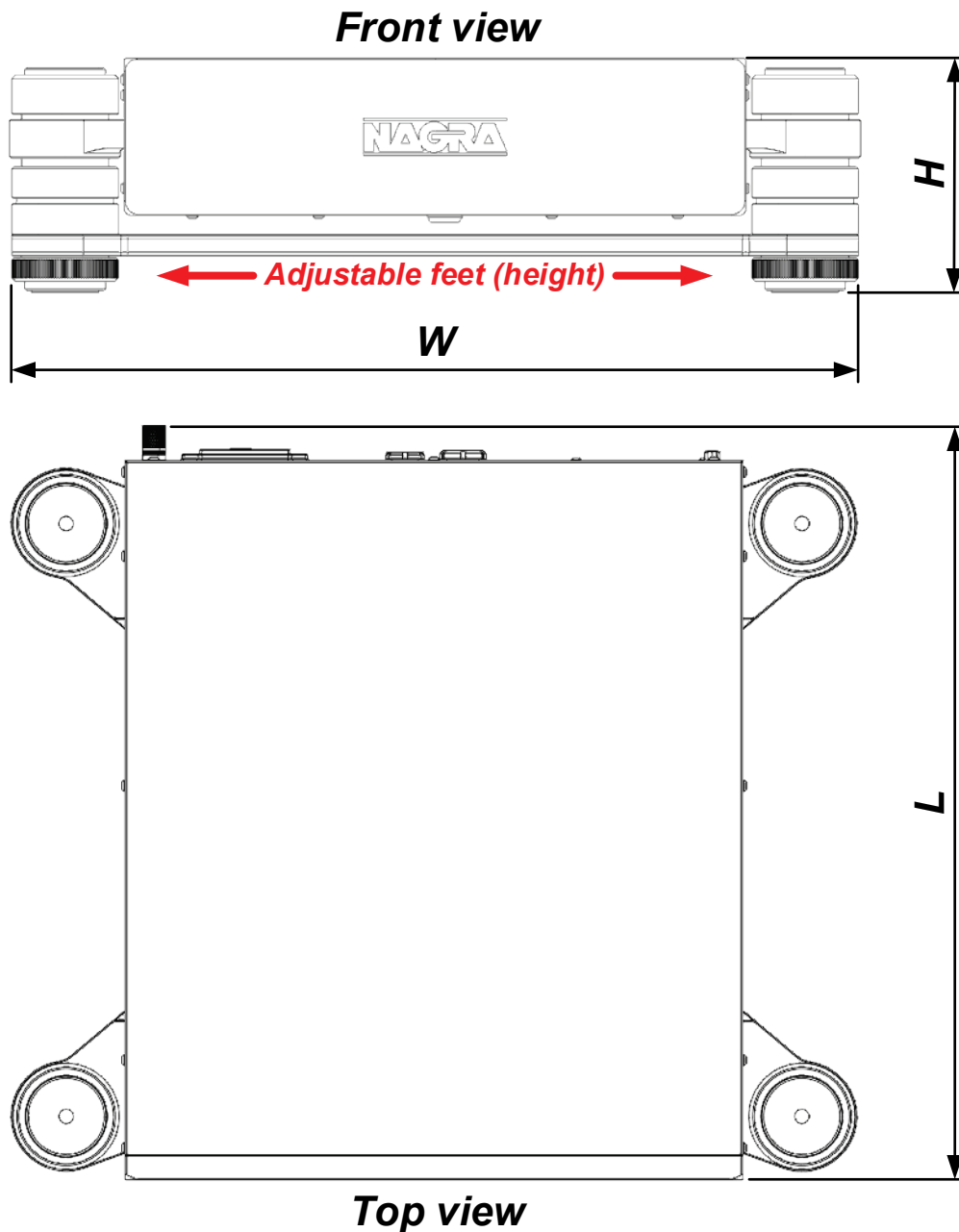
Overall dimensions

$L \times W \times H = 452 \times 662 \times 267-281 \text{ mm} / 17.8 \times 26.1 \times 10.6-11.1 \text{ in}$
***The tonearm cable overtakes the upper part of the device
for several centimetres***

Net weight

78 kg / 172 lb

ANNIVERSARY TURNTABLE POWER SUPPLY



Overall dimensions

$L \times W \times H = 414 \times 438 \times 121-130 \text{ mm} / 16.3 \times 17.3 \times 4.8-5.1 \text{ in}$

Net weight

$14.5 \text{ kg} / 32 \text{ lb}$