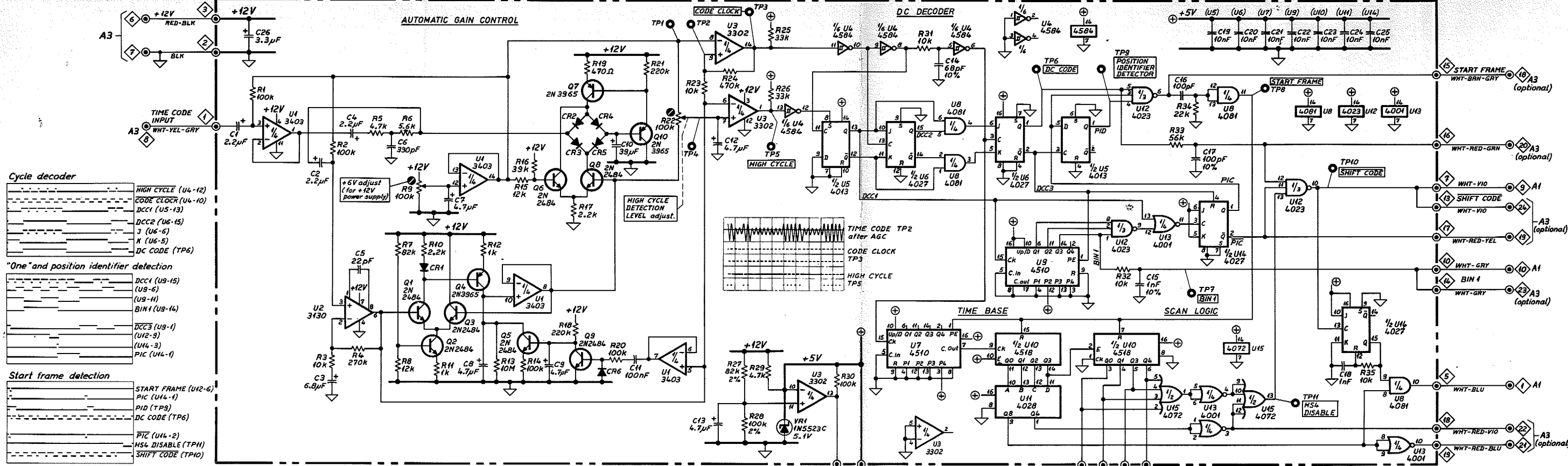


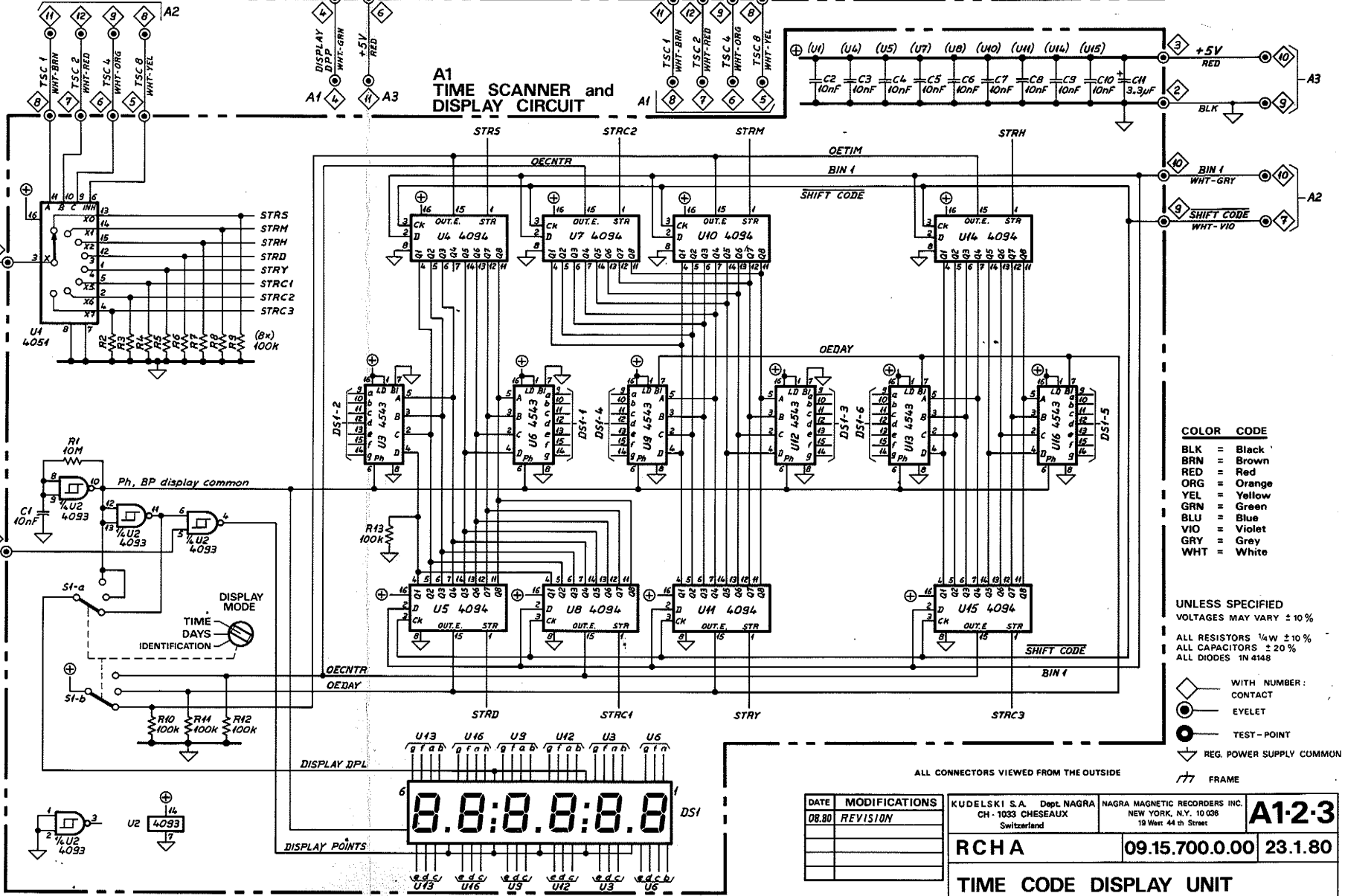
A2 ACQUISITION MODULE and DECODER



- Cycle decoder**
- HIGH CYCLE (U4-12)
  - CODE CLCKR (U4-10)
  - DCC1 (U5-13)
  - DCC2 (U6-15)
  - J (U6-5)
  - K (U6-5)
  - DC CODE (TP6)
- "One" and position identifier detection**
- DCC1 (U9-15)
  - (U9-6)
  - (U9-11)
  - BIN1 (U9-14)
  - DCC3 (U9-1)
  - (U12-9)
  - (U14-3)
  - PIC (U14-1)
- Start frame detection**
- START FRAME (U12-6)
  - PIC (U14-1)
  - PID (TP3)
  - DC CODE (TP6)
  - PIC (U14-2)
  - HS4 DISABLE (TPH)
  - SHIFT CODE (TP10)

- BIN "one" detection**
- DCC1 (U9-15)
  - (U9-6)
  - (U9-11)
  - BIN1 (U9-14)
  - DCC3 (U9-1)

A1 TIME SCANNER and DISPLAY CIRCUIT



- COLOR CODE**
- BLK = Black
  - BRN = Brown
  - RED = Red
  - ORG = Orange
  - YEL = Yellow
  - GRN = Green
  - BLU = Blue
  - VIO = Violet
  - GRY = Grey
  - WHT = White

UNLESS SPECIFIED  
VOLTAGES MAY VARY ± 10 %  
ALL RESISTORS 1/4W ± 10 %  
ALL CAPACITORS ± 20 %  
ALL DIODES 1N4148

- WITH NUMBER: CONTACT
- EYELET
- TEST-POINT
- REG. POWER SUPPLY COMMON

ALL CONNECTORS VIEWED FROM THE OUTSIDE

DATE	MODIFICATIONS
DR.80	REVISION

KUDELSKI S.A. Dept. NAGRA  
CH - 1033 CHESEAUX  
Switzerland

NAGRA MAGNETIC RECORDERS INC.  
NEW YORK, N.Y. 10036  
18 West 44th Street

**A1-2-3**

RCHA 09.15.700.0.00 23.1.80

**TIME CODE DISPLAY UNIT**

22 DEC. 1980

This drawing is confidential and may not be divulged in whole or in part to a third party