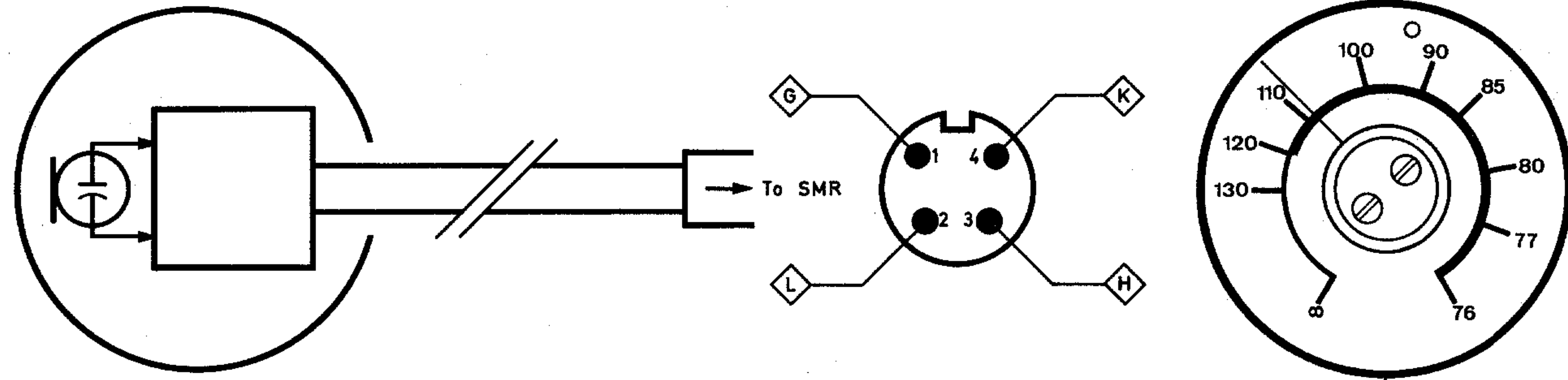
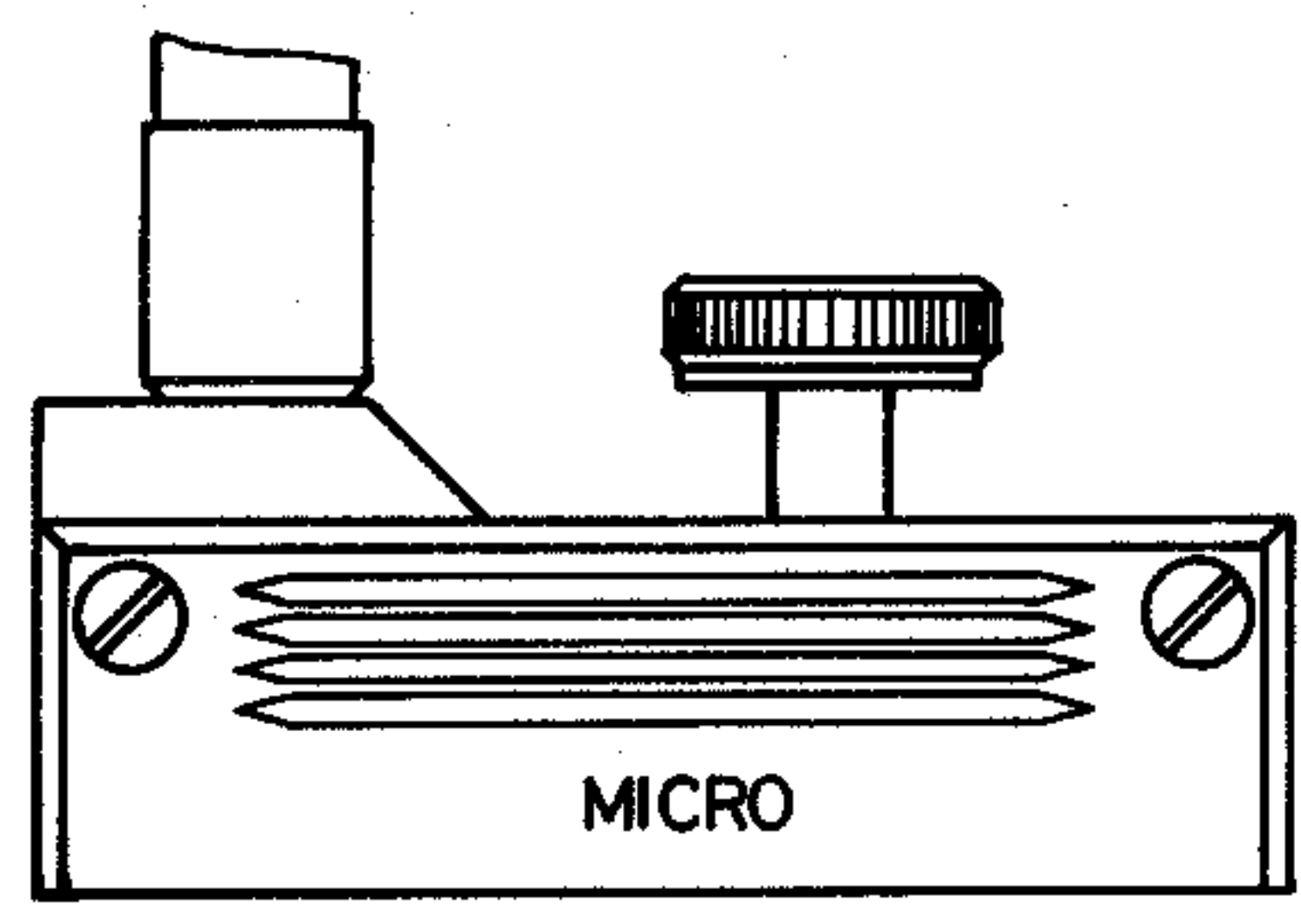
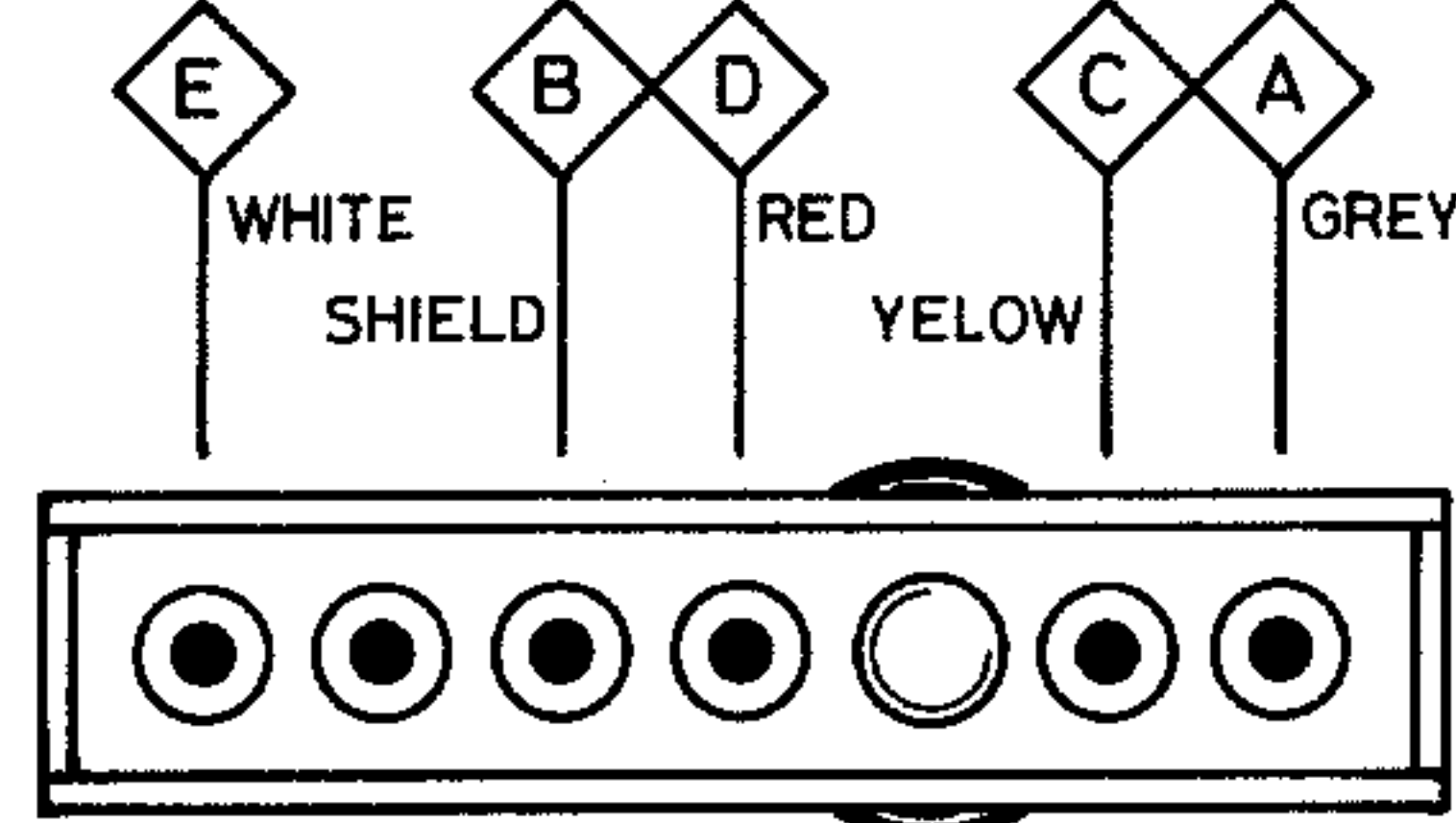
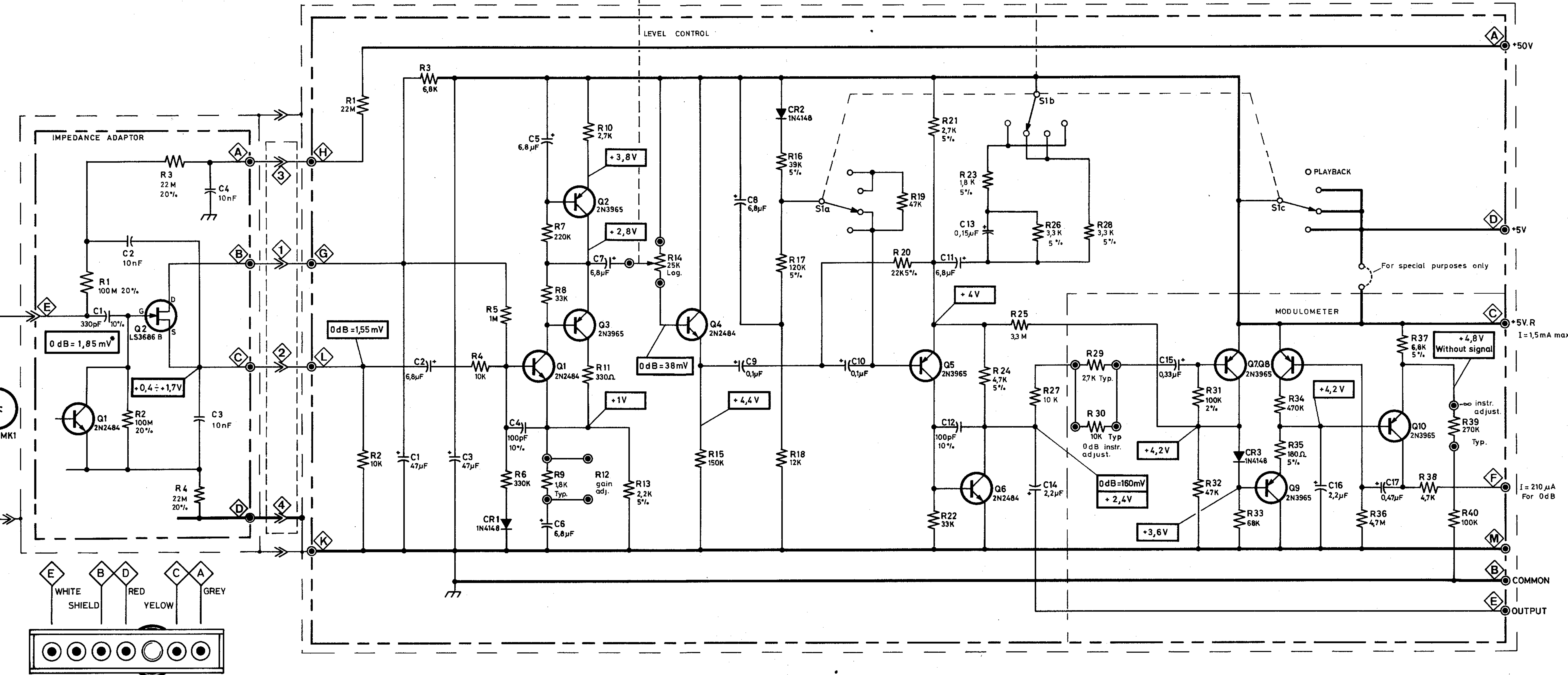
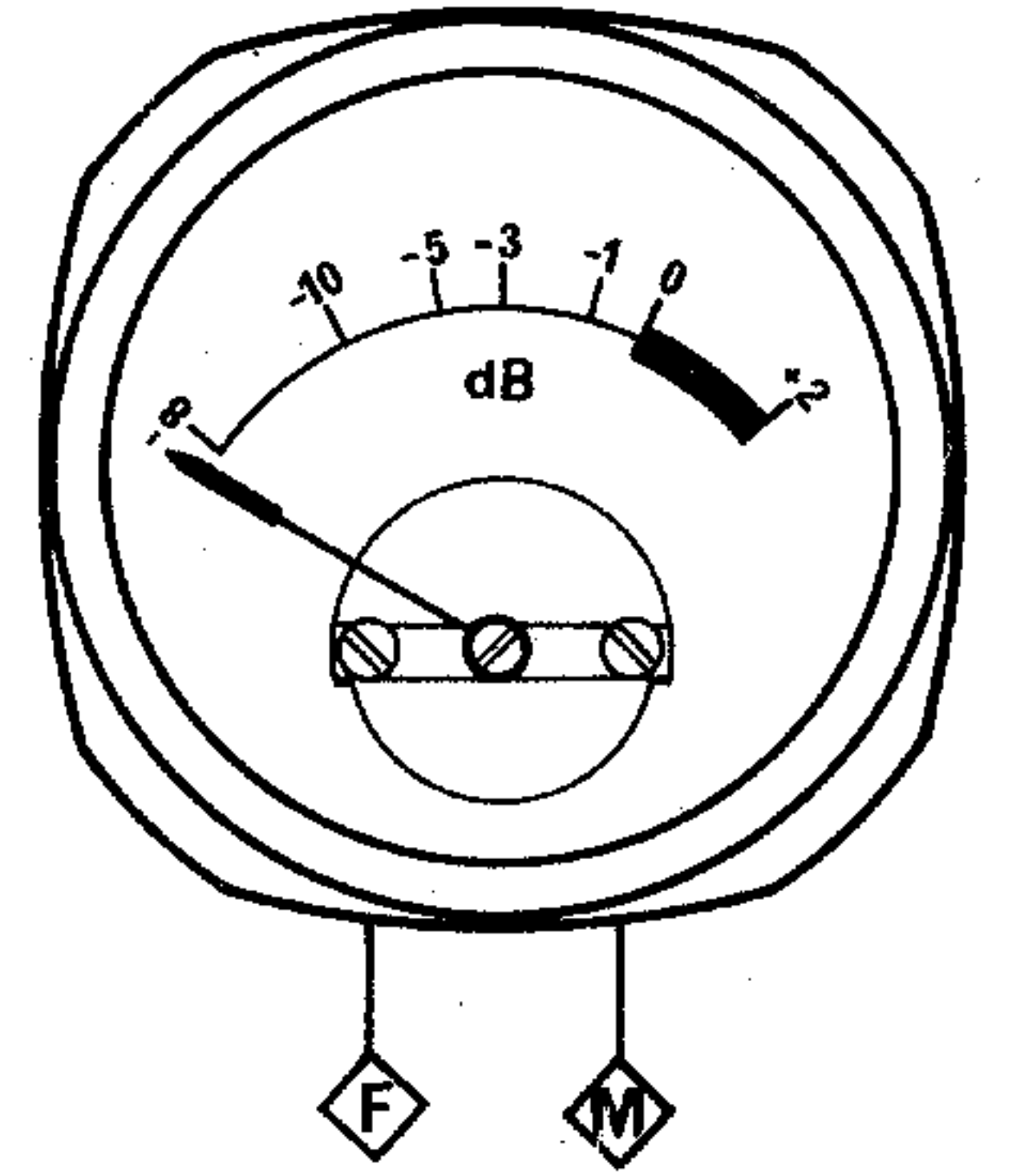
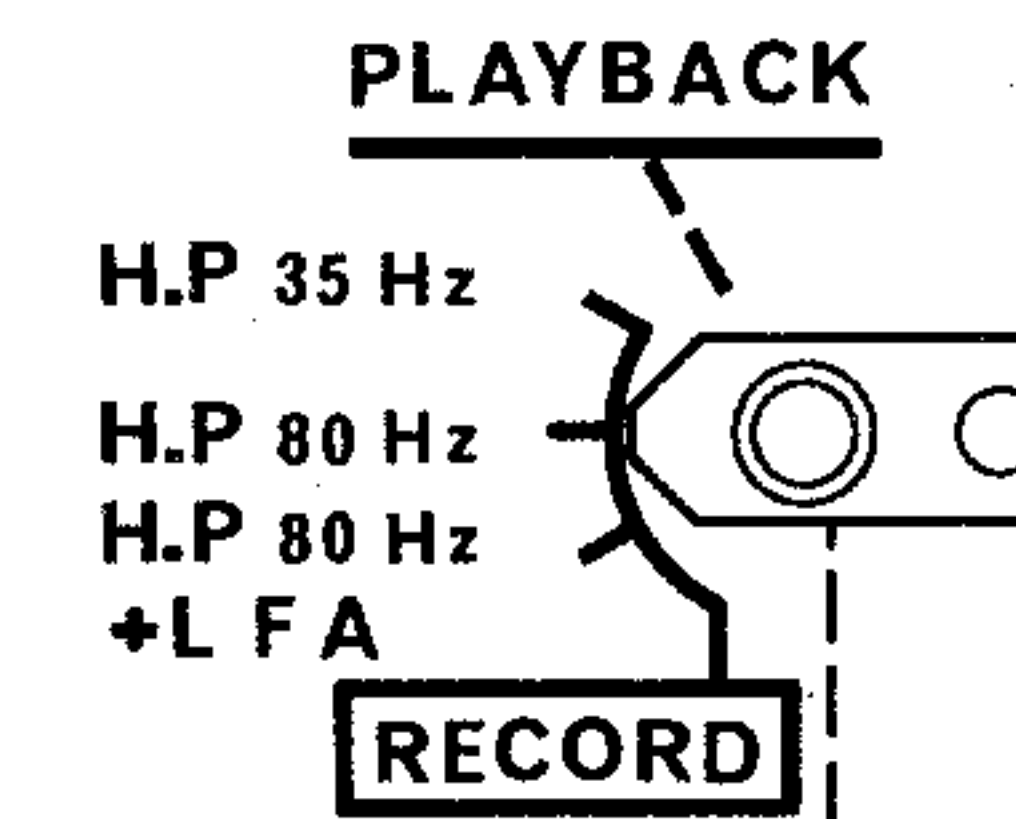
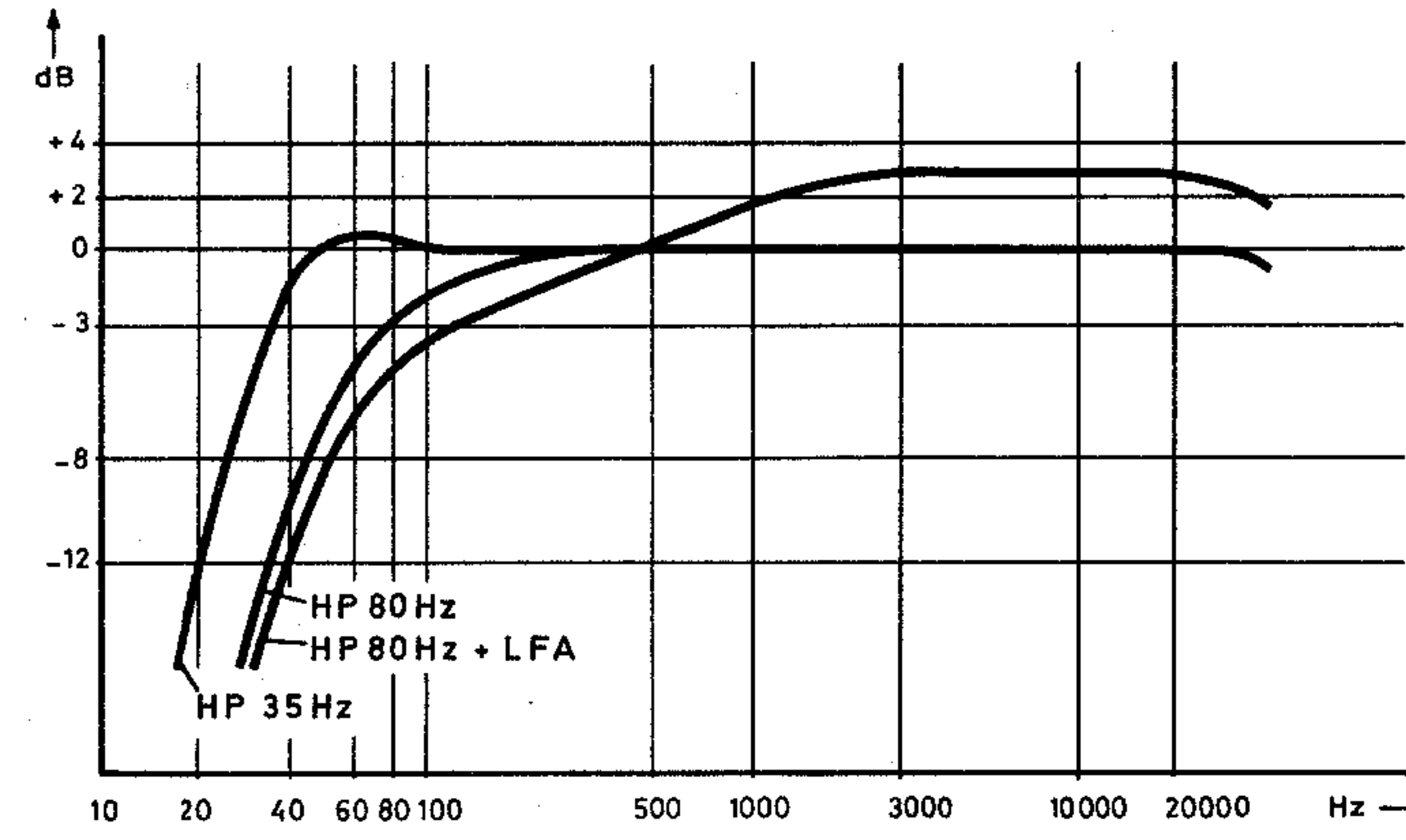


# SMR



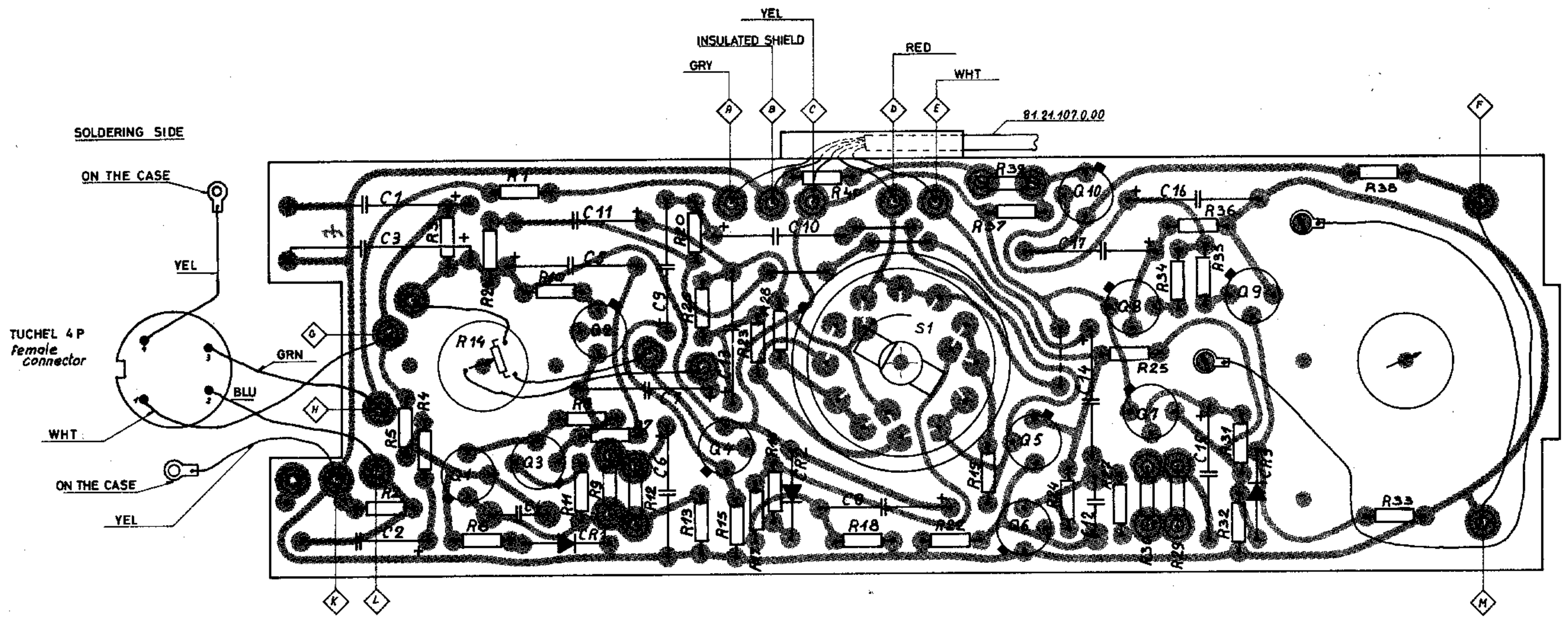
MICROPHONE PREAMPLIFIER WITH WIND SCREEN



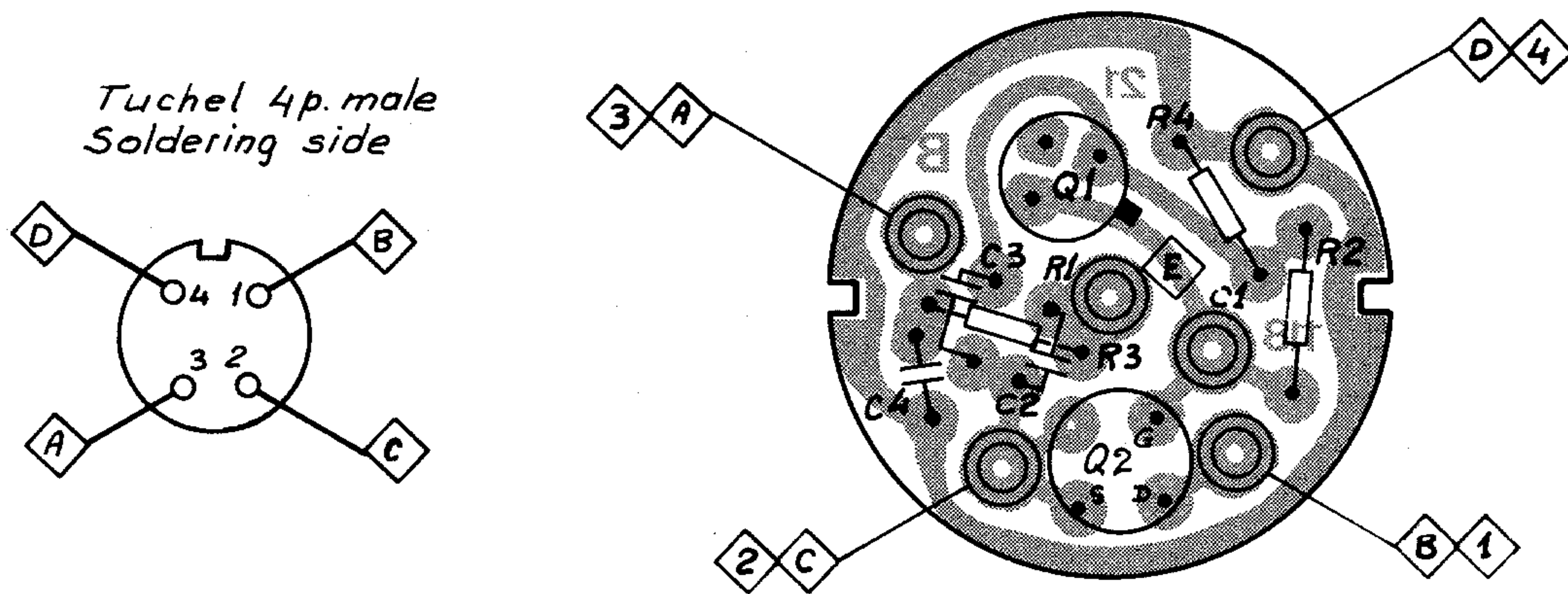
UNLESS SPECIFIED  
ALL RESISTORS ALLEN-BRADLEY 1/8W ± 10%  
ALL CAPACITORS ± 20%

MEASURING INSTRUMENT  
D.C. Voltmeter 40 000 Ω/V  
A.C. Voltmeter  
(e.g. Bruel & Kjaer type 2112 or 2606 +1615 or equivalent.)  
Voltages may vary ± 10%  
• Measurement taken with cartridge removed and replaced by signal generator

KUDELSKI S. A. Dept. NAGRA CH-1033 CHESEAUX Switzerland	This drawing is confidential and may not be divulged in whole or in part to a third party	NAGRA MAGNETIC RECORDERS INC. 19 West 44th Street NEW YORK, N.Y. 10 036
<b>SMR</b>		<b>0921105 000 11 7 73</b>
<b>MICROPHONE WITH MANUAL LEVEL CONTROL</b>		



Microphone with manual level control



Impedance adapter