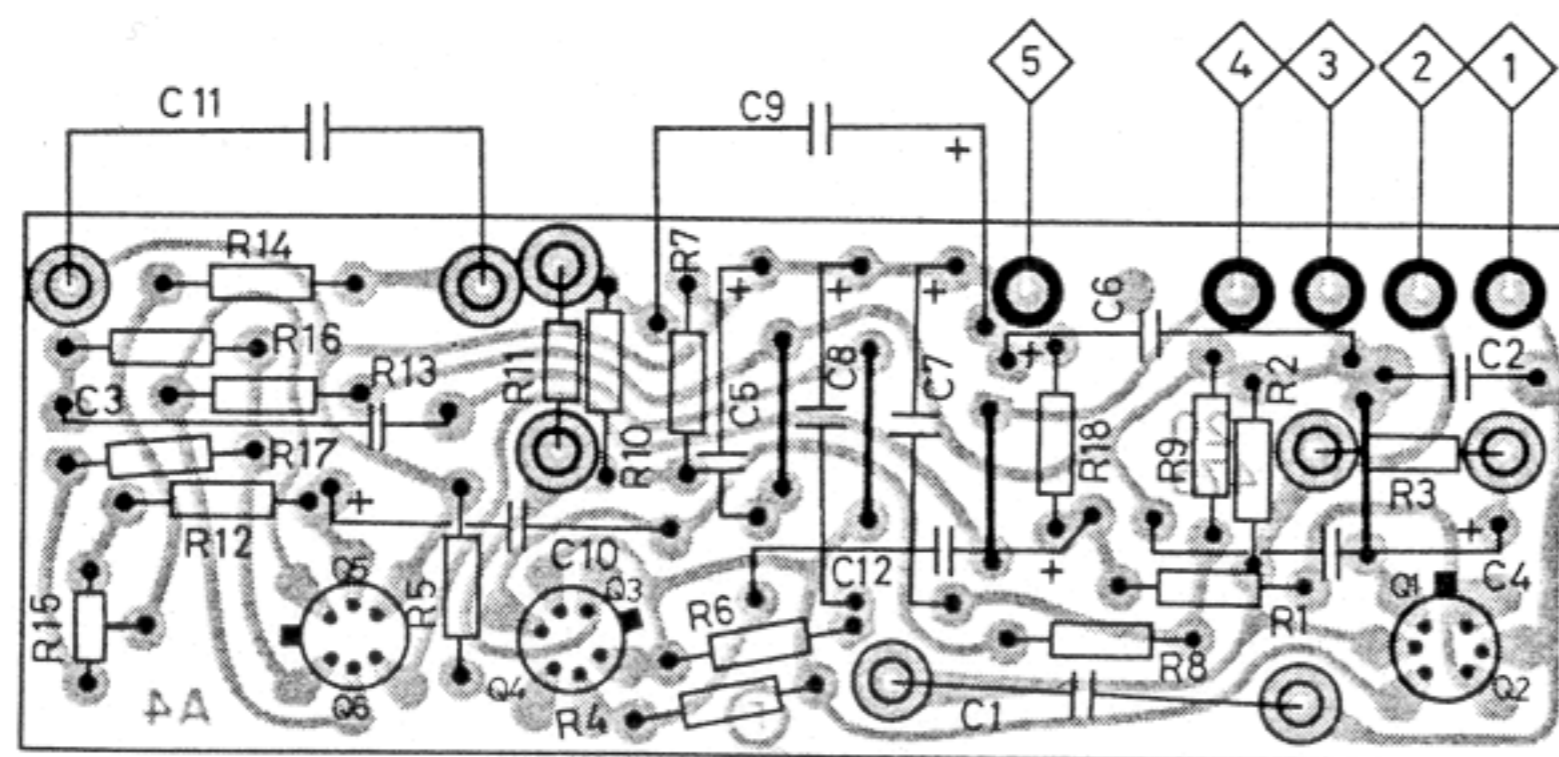
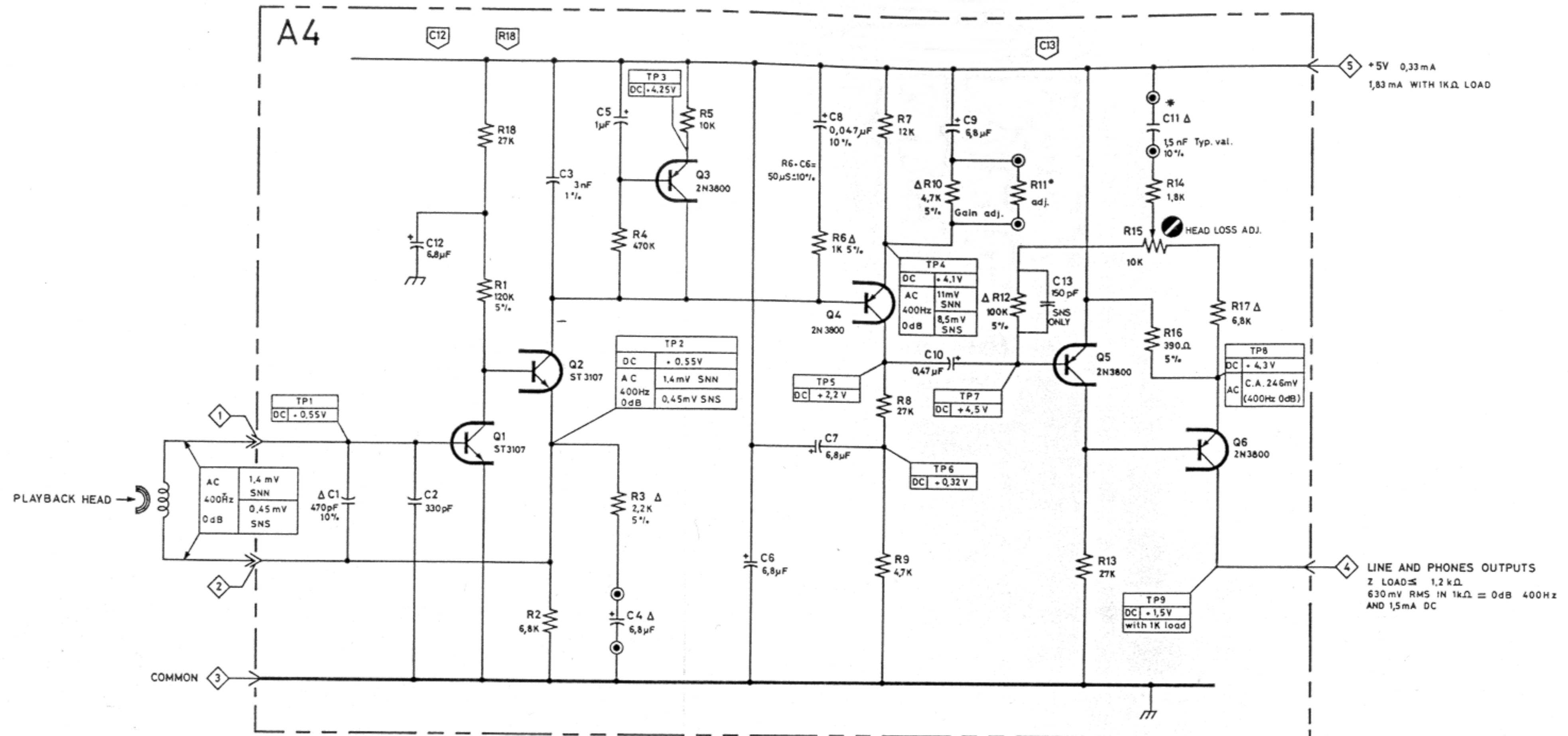


A4



Δ MODIFICATIONS FOR
NAGRA SNS

R3 1.8k 5% C1 15nF 10%
R6 47k 5% C4 2.2μF
R10 2.7k 5% C11 2.2nF 10%
R12 82k 5%
R14 10k
R15 20k
R17 15k

SNS	
DATE	MODIFICATIONS
4.79	C11-R3-R6-R14-R15-R17

SNN	
DATE	MODIFICATIONS
4.79	C3-R1-R3

MEASURING INSTRUMENT
DC VOLTMETER 40 000Ω/V
AC VOLTMETER (e.g. B & K Type 2112
or 2606 + 1615 or equivalent)

UNLESS SPECIFIED
AC MEASUREMENT SHOULD BE MADE
AT 1kHz FOR 0dB LEVEL
VOLTAGES MAY VARY ±10 %

ALL RESISTORS ALLEN BRADLEY 1/8W
±10 %
ALL CAPACITORS ±20 %

KUDELSKI S.A. Dept. NAGRA CH - 1033 CHESEAUX Switzerland	NAGRA MAGNETIC RECORDERS INC. NEW YORK, N.Y. 10 036 19 West 44 th Street	A 4
NAGRA SNN/S 09.20.475.0.00		29.4.77
PLAYBACK AMPLIFIER		

This drawing is confidential and may not be divulged in whole or in part to a third party