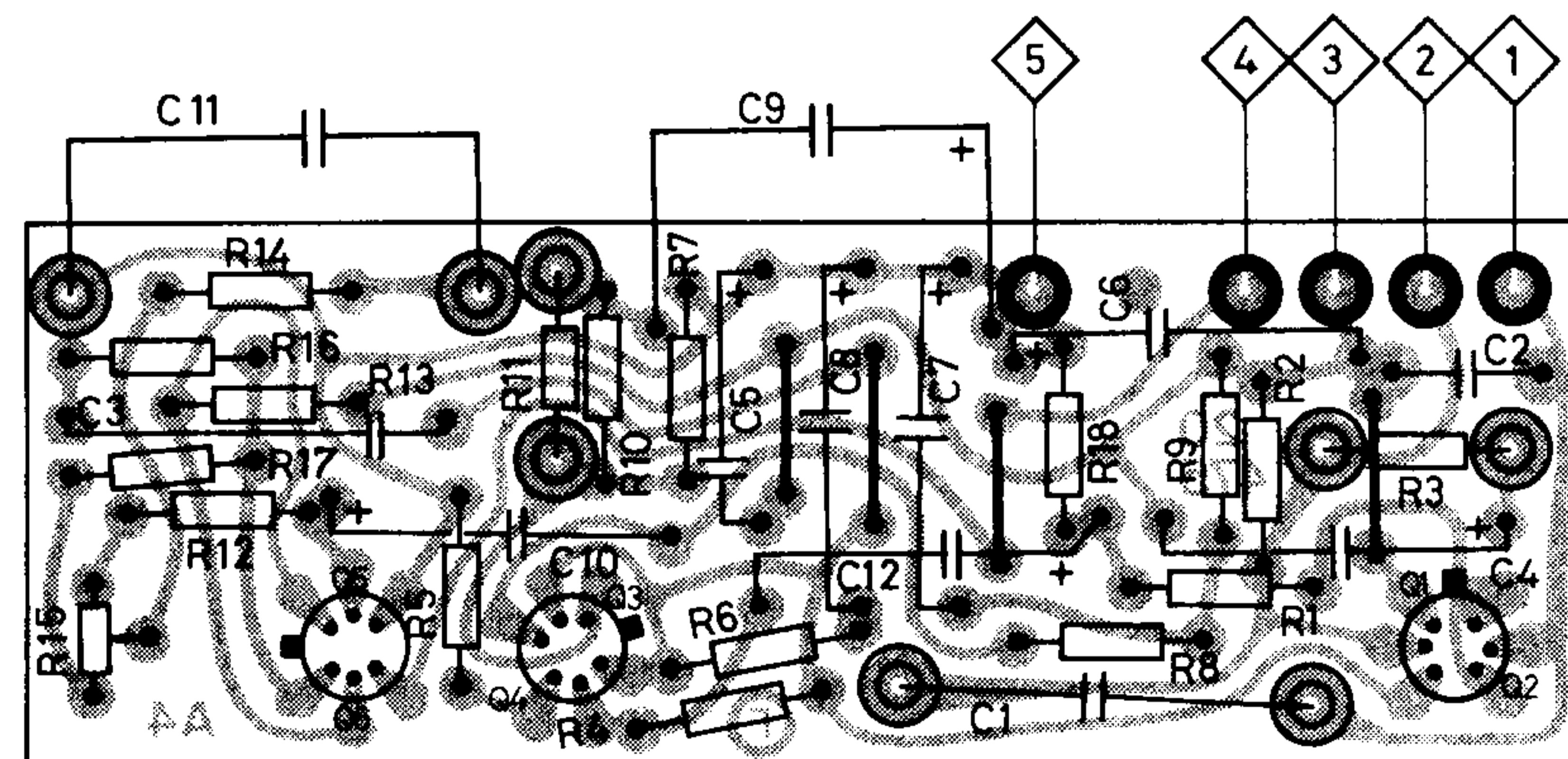
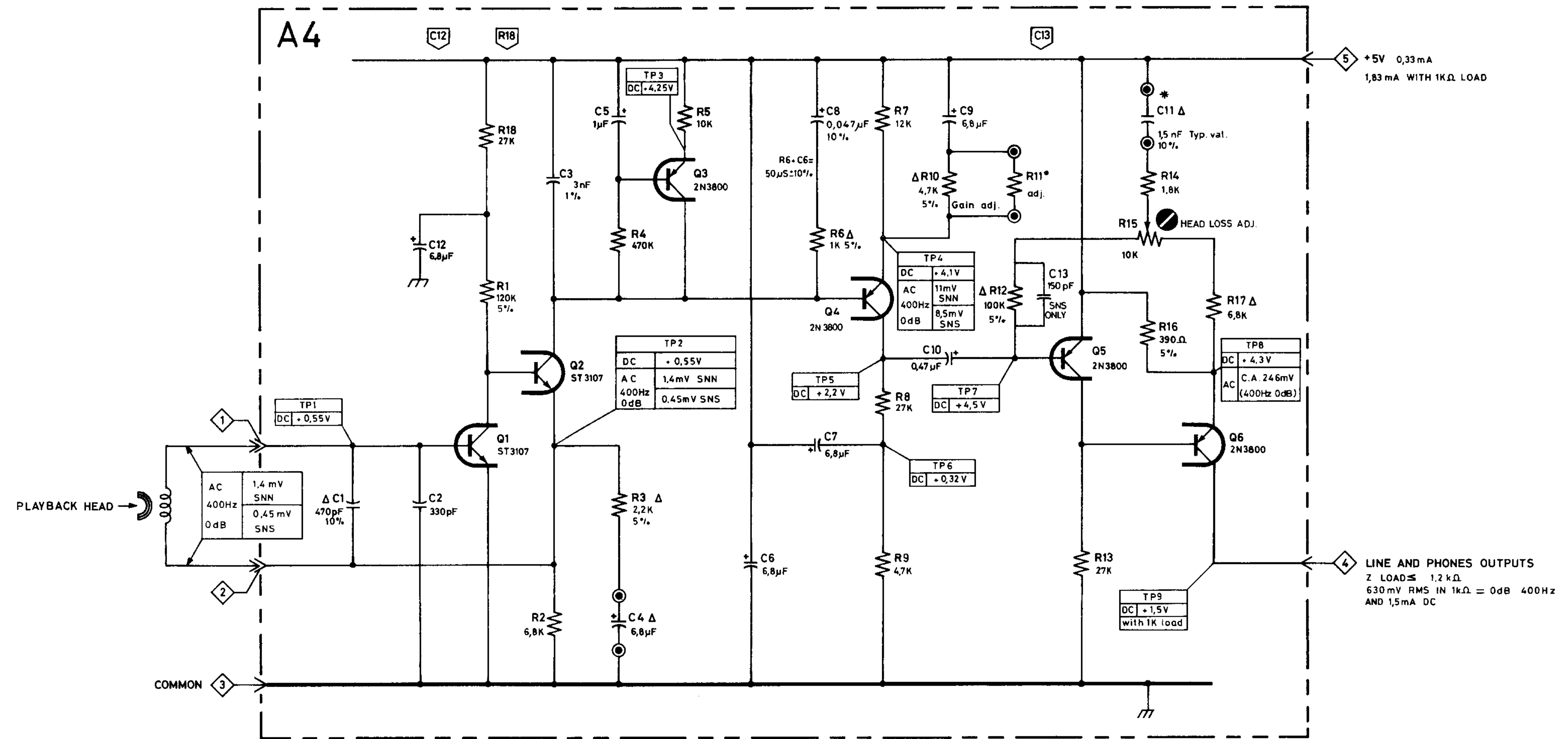


A4



- Δ MODIFICATIONS FOR
NAGRA SNS
- R3 1.8k 5%
 - R6 47k 5%
 - R10 2.7k 5%
 - R12 82k 5%
 - R14 10k
 - R15 20k
 - R17 15k
 - C1 15nF 10%
 - C4 22μF
 - C11 22nF 10%

MEASURING INSTRUMENT
DC VOLTMETER 40 000Ω/V
AC VOLTMETER (e.g. B & K Type 2112
or 2606 + 1615 or equivalent)

UNLESS SPECIFIED
AC MEASUREMENT SHOULD BE MADE
AT 1kHz FOR 0dB LEVEL
VOLTAGES MAY VARY ± 10 %

ALL RESISTORS ALLEN BRADLEY 1/8W ± 10 %
ALL CAPACITORS ± 20 %

SNS	
DATE	MODIFICATIONS
4.79	C11-R3-R6-R14-R15-R17

SNN	
DATE	MODIFICATIONS
4.79	C3-R1-R3

KUDELSKI S.A. Dept. NAGRA CH - 1033 CHESEAUX Switzerland	NAGRA MAGNETIC RECORDERS INC. NEW YORK, N.Y. 10 008 19 West 44 th Street	A 4
NAGRA SNN/S 09.20.475.00 29.4.77		
PLAYBACK AMPLIFIER		

This drawing is confidential and may not be divulged in whole or in part to a third party