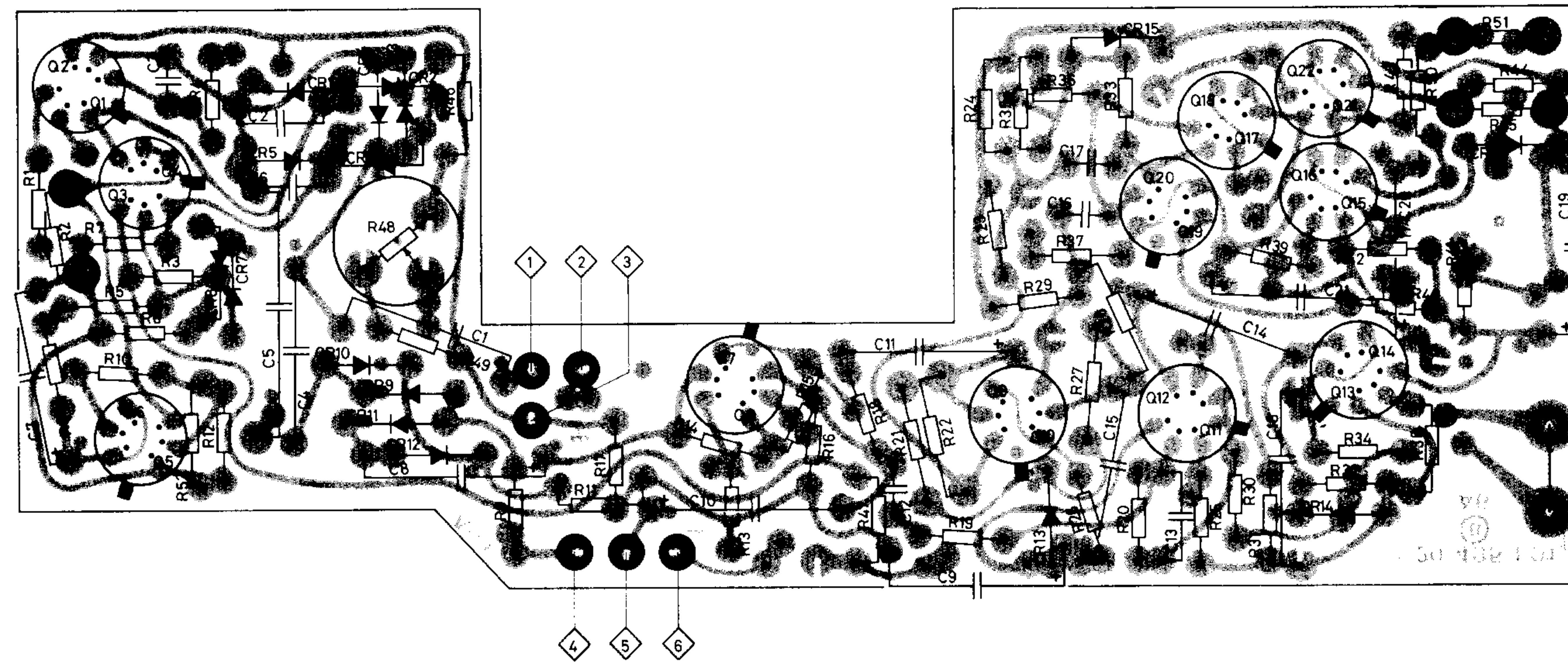
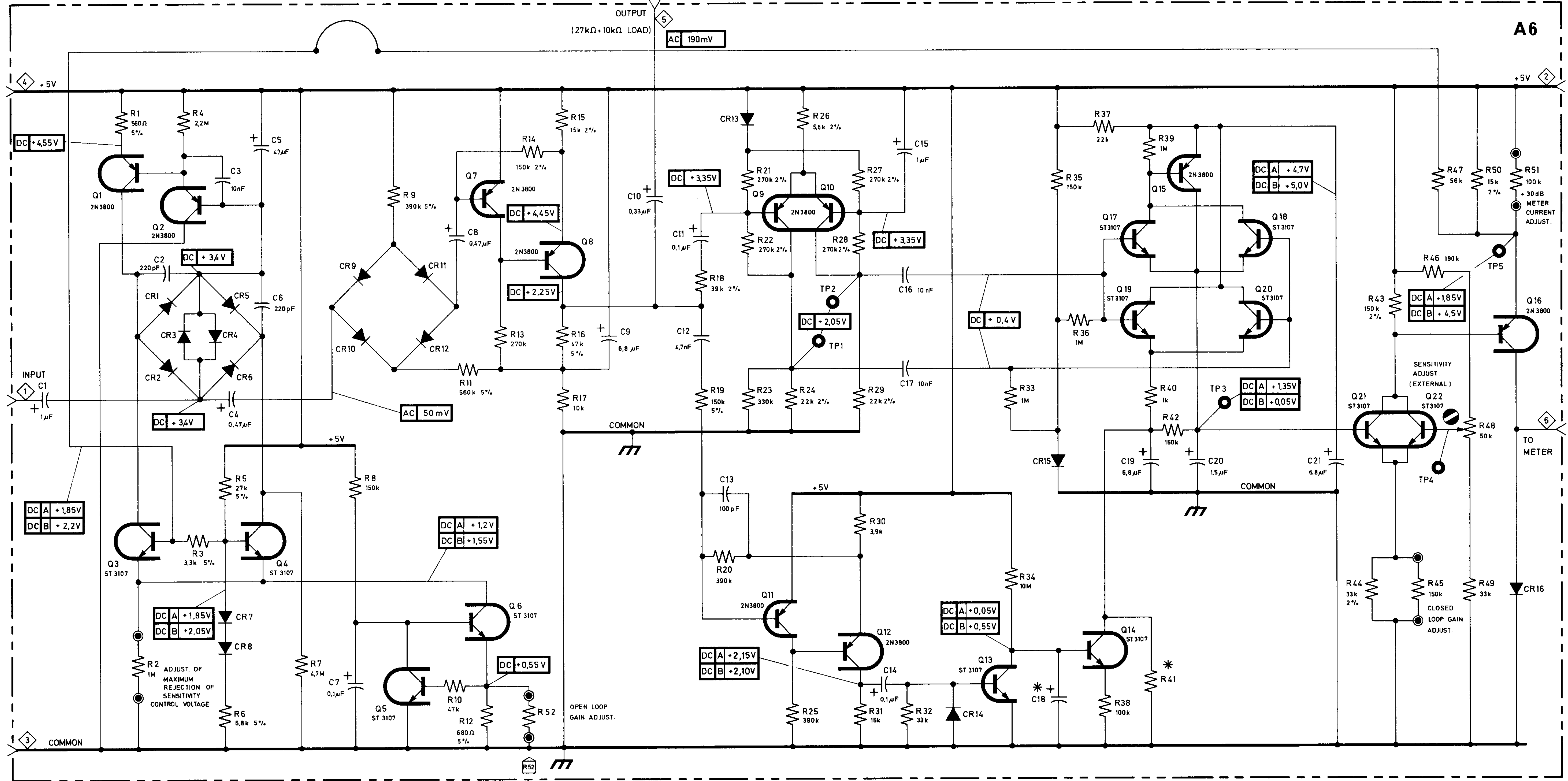


A6



MEASURING INSTRUMENT
 DC VOLTMETER R = 10MΩ
 AC VOLTMETER
 (E.G. B & K TYPE 2112 OR 2606 + 1615 OR EQUIVALENT)

UNLESS SPECIFIED
 AC MEASUREMENT SHOULD BE MADE AT 1kHz FOR 0dB LEVEL
 VOLTAGES MAY VARY ± 10%

UNLESS SPECIFIED
 ALL RESISTORS ALLEN BRADLEY 1/8W ± 10%
 ALL CAPACITORS ± 20%
 ALL DIODES IN 4148

* STANDARD VERSION C18 R41
 1.5µF 10MΩ

A) MAX SIGNAL (COMPRESSION 30dB)
 B) NO SIGNAL

DATE	MODIFICATIONS
4.79	BRIDGE - TP DC (C14)

KUDELSKI S.A. Dept. NAGRA CH - 1033 CHESEAUX Switzerland	NAGRA MAGNETIC RECORDERS INC. NEW YORK, N.Y. 10 036 19 West 44 th Street	A6
NAGRA SN 09.20.485.100		4.6.76
AUTOMATIC LEVEL CONTROL 2		

This drawing is confidential and may not be divulged in whole or in part to a third party