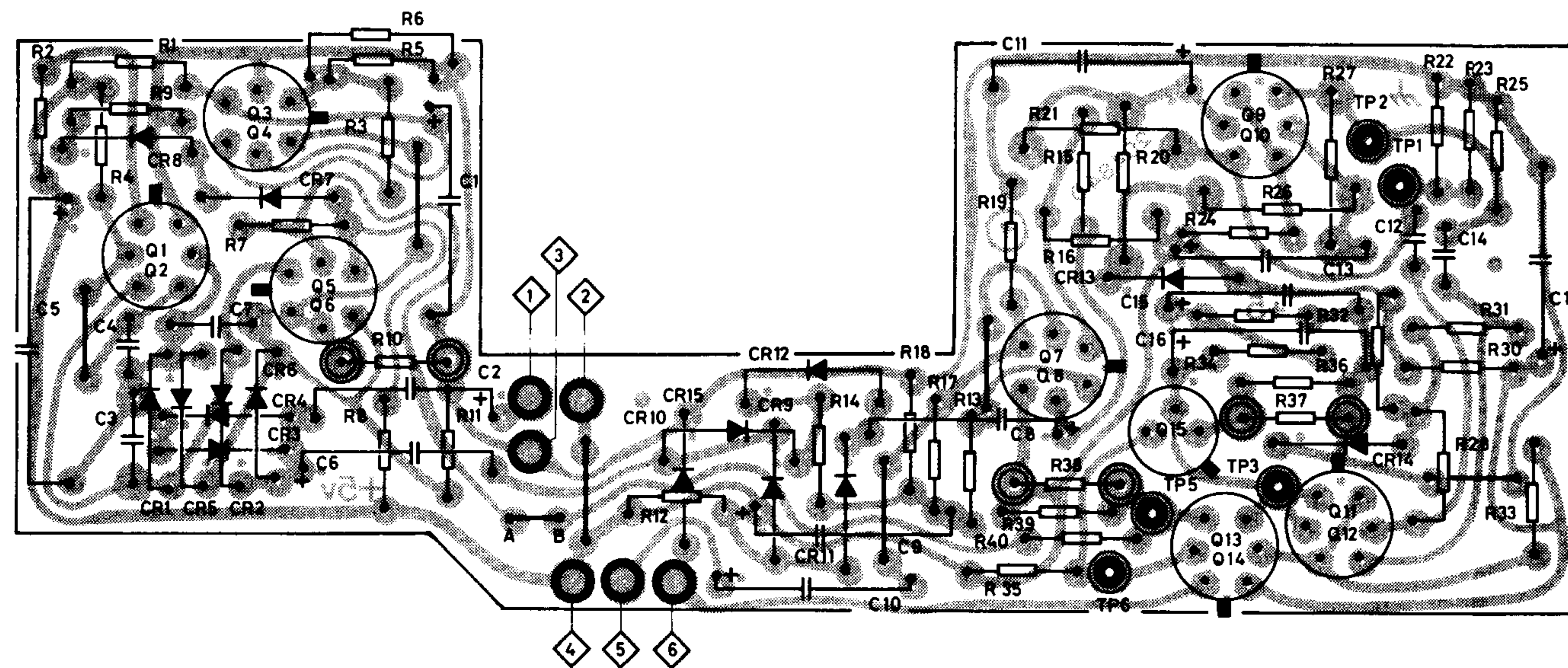
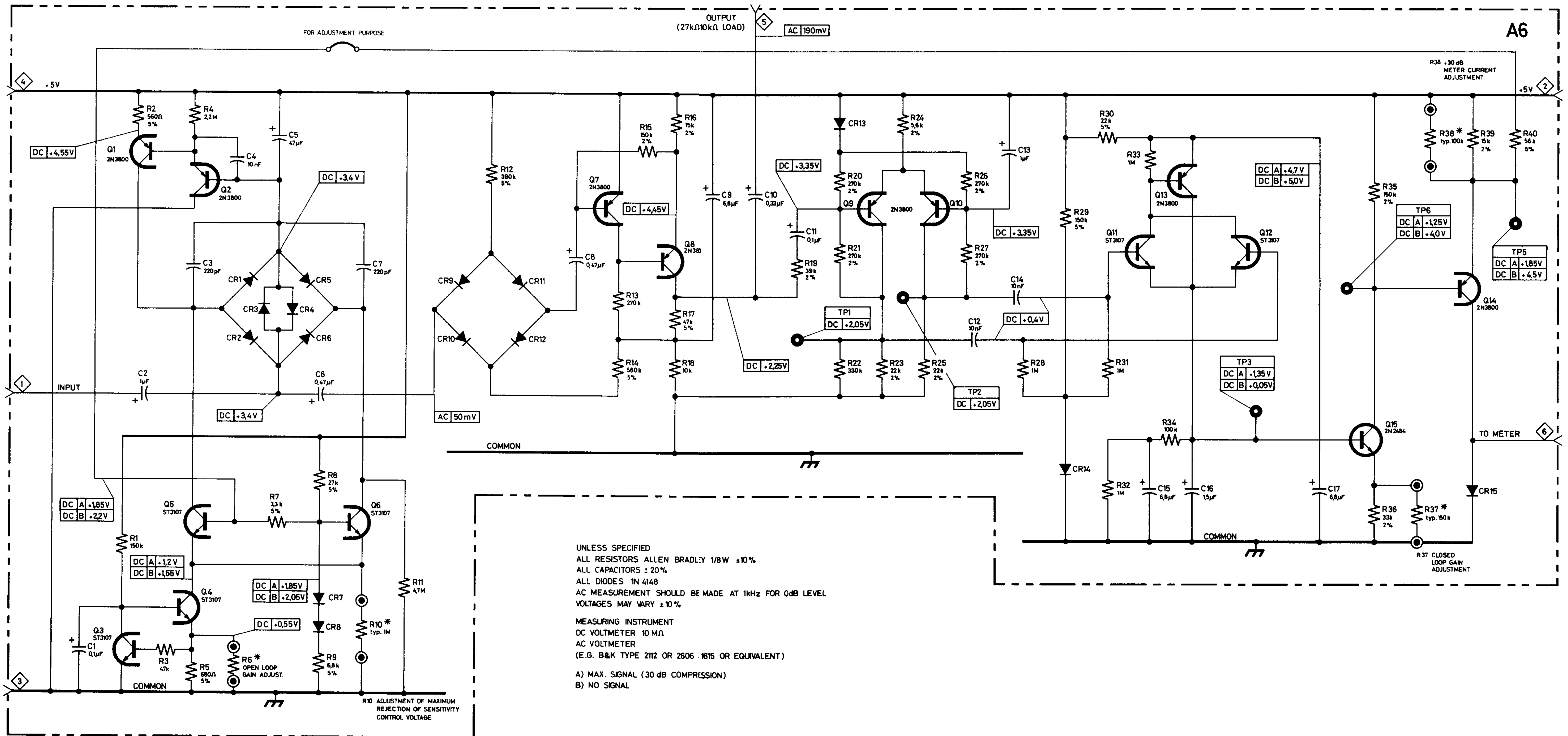


A6



DATE	MODIFICATIONS
4.79	TP DC (R6)

KUDELSKI S.A. Dept. NAGRA
 CH-1033 CHESEAUX
 Switzerland

This drawing is confidential and may not be divulged in whole or in part to a third party.

NAGRA MAGNETIC RECORDERS INC.
 19 West 44th Street
 NEW YORK, N.Y. 10036

NAGRA SN 09.20.4840.00 11.10.74

AUTOMATIC LEVEL CONTROL 2S

A6